

Canadian Museum of Rail Travel - Cranbrook, B.C.

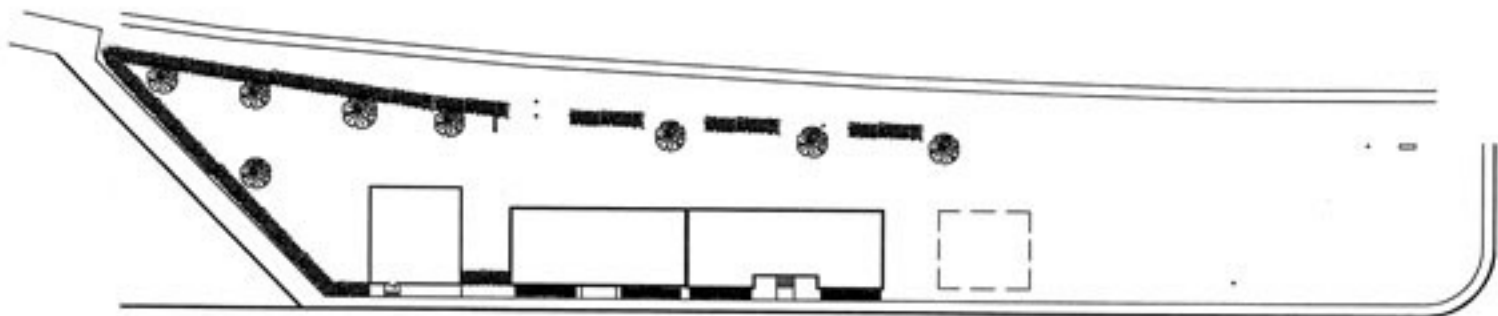
Present Museum Site (Pre 1974)

Reference 3.4.26

Drawn by: Aeron Santucci

Drawn for: Garry Anderson

August, 1997

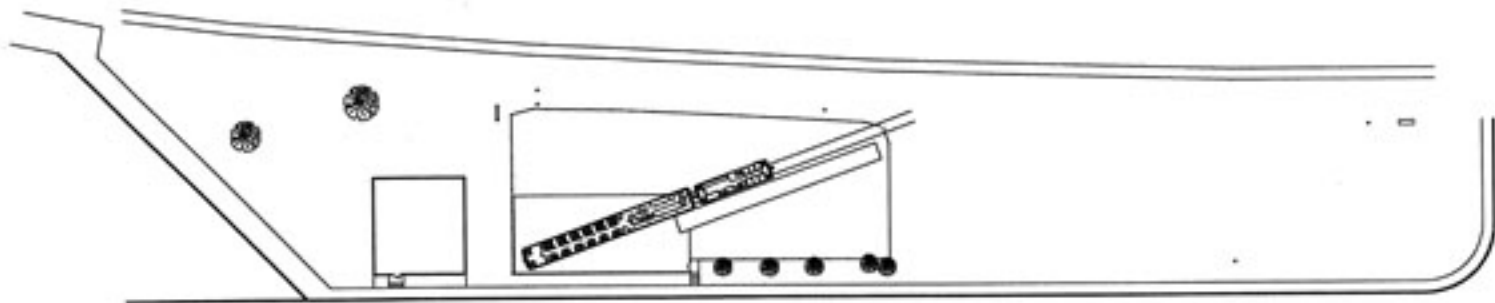


Canadian Museum of Rail Travel - Cranbrook, B.C.

Present Museum Site (1978)

Reference 3.4.24

Drawn by: Aaron Santucci
Drawn for: Garry Anderson
August, 1997



Canadian Museum of Rail Travel - Cranbrook, B.C.

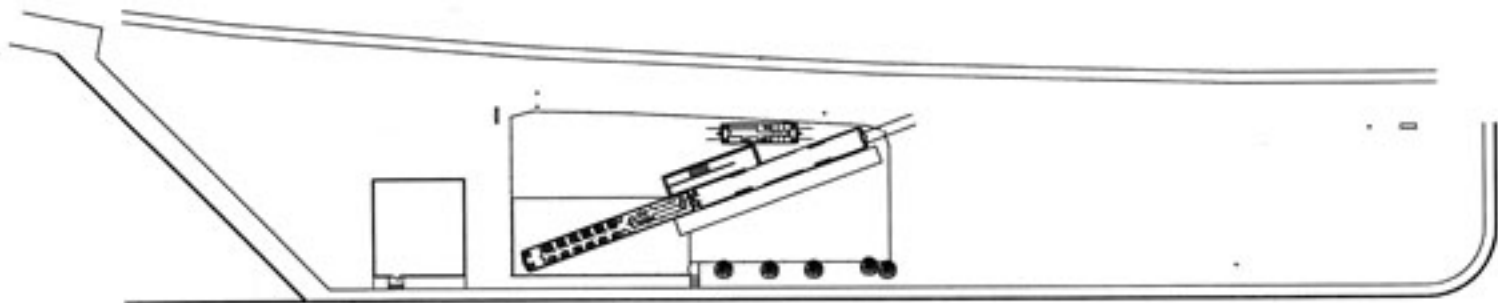
Present Museum Site (1980)

Reference 3.4.23

Drawn by: Aaron Santucci

Drawn for: Garry Anderson

August, 1997

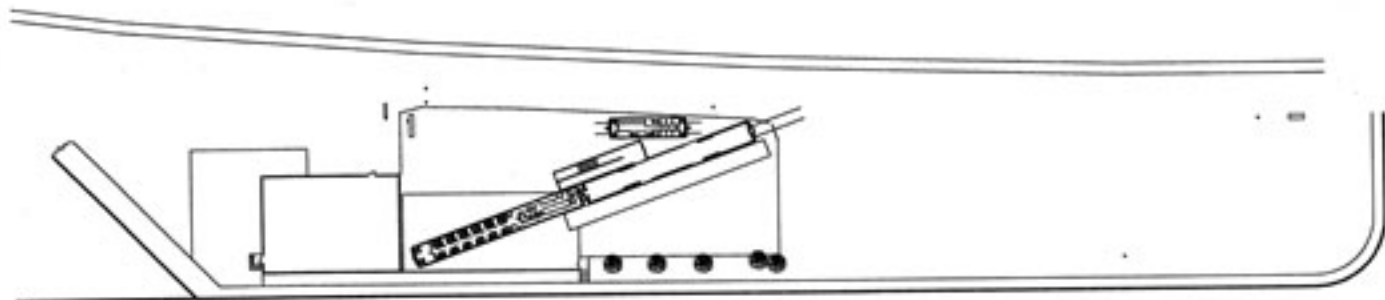


Canadian Museum of Rail Travel - Cranbrook, B.C.

Present Museum Site (1981)

Reference 3.4.22

Drawn by: Aaron Santucci
Drawn for: Garry Anderson
August, 1997

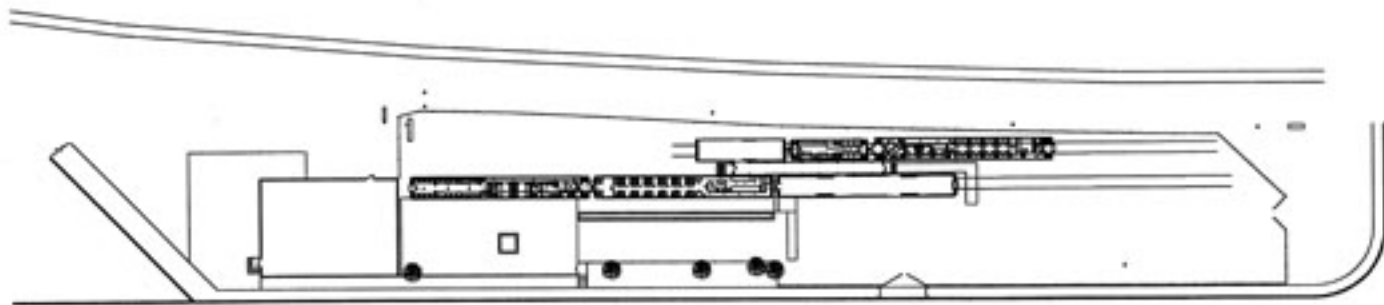


Canadian Museum of Rail Travel - Cranbrook, B.C.

Present Museum Site (1982)

Reference 3.4.21

Drawn by: Aaron Santucci
Drawn for: Garry Anderson
August, 1997



Canadian Museum of Rail Travel - Cranbrook, B.C.

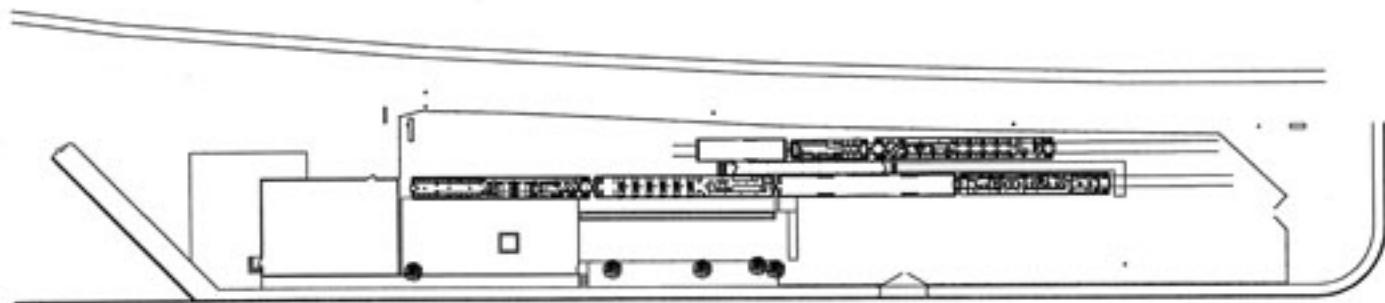
Present Museum Site (1985)

Reference 3.4.19

Drawn by: Aaron Senfucal

Drawn for: Garry Anderson

August, 1997

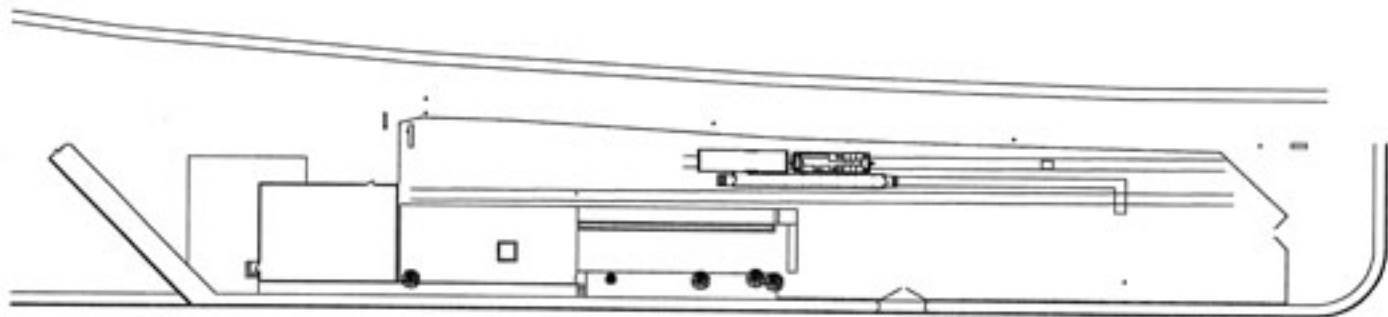


Canadian Museum of Rail Travel - Cranbrook, B.C.

Present Museum Site (1986 - During Visit of Cars to Expo '86)

Reference 3.4.18

Drawn by: Aaron Santucci
Drawn for: Garry Anderson
August, 1997

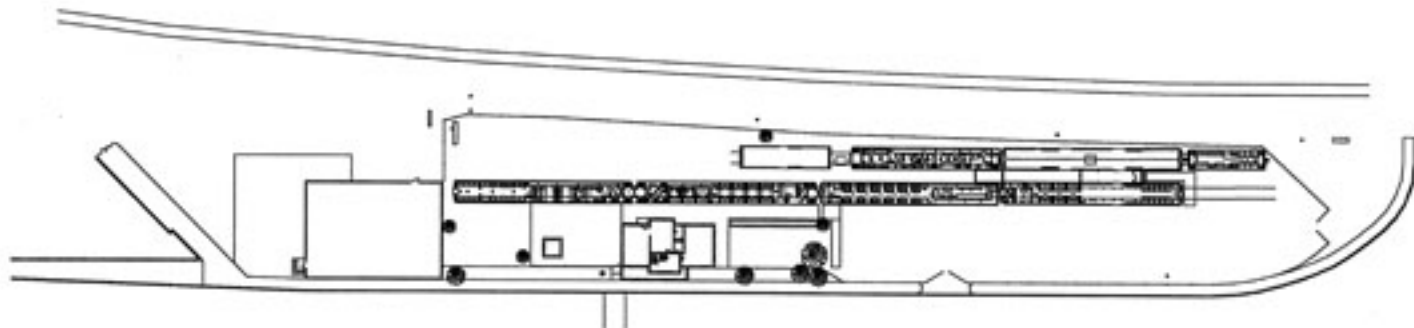


Canadian Museum of Rail Travel - Cranbrook, B.C.

Present Museum Site (1987)

Reference 3.4.17

Drawn by: Aaron Santucci
Drawn for: Garry Anderson
August, 1997

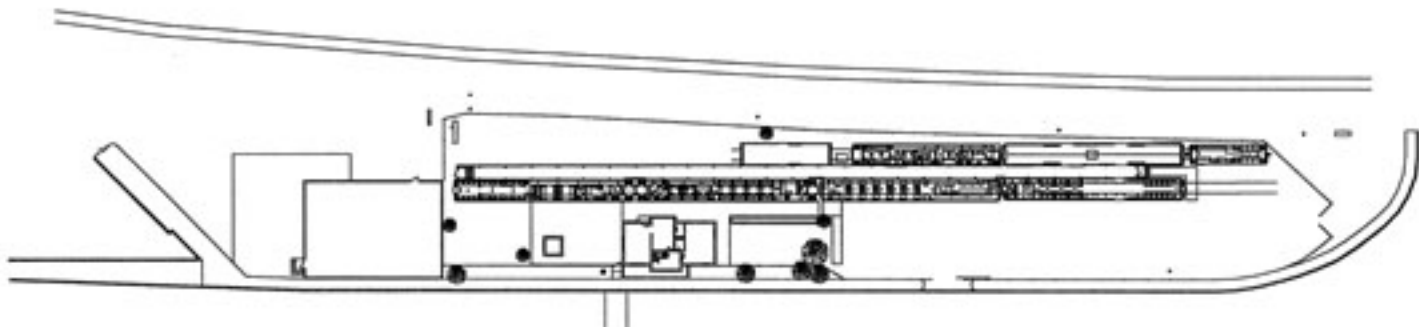


Canadian Museum of Rail Travel - Cranbrook, B.C.

Present Museum Site (1988)

Reference 3.4.16

Drawn by: Aaron Santucci
Drawn for: Garry Anderson
August, 1997

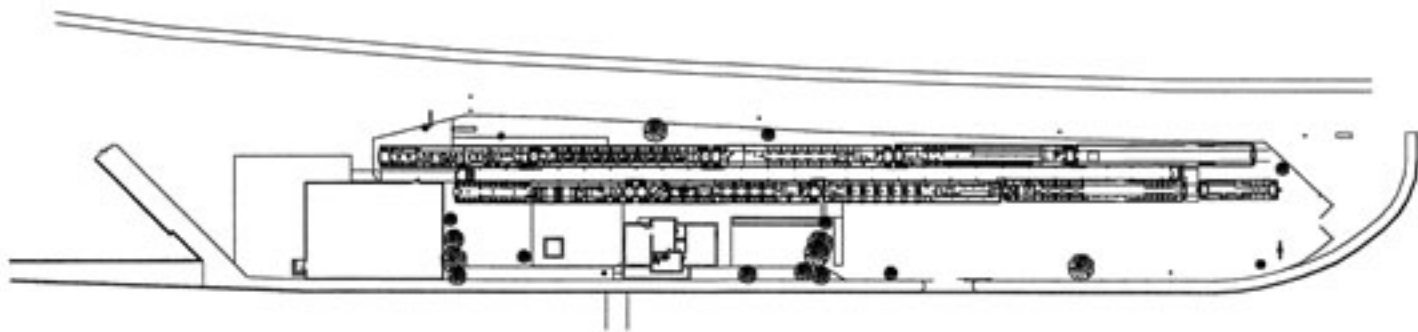


Canadian Museum of Rail Travel - Cranbrook, B.C.

Museum Development Zone Staging Concepts (1992)

Reference 3.4.15

Drawn by: Aaron Santucci
Drawn for: Garry Anderson
August, 1997

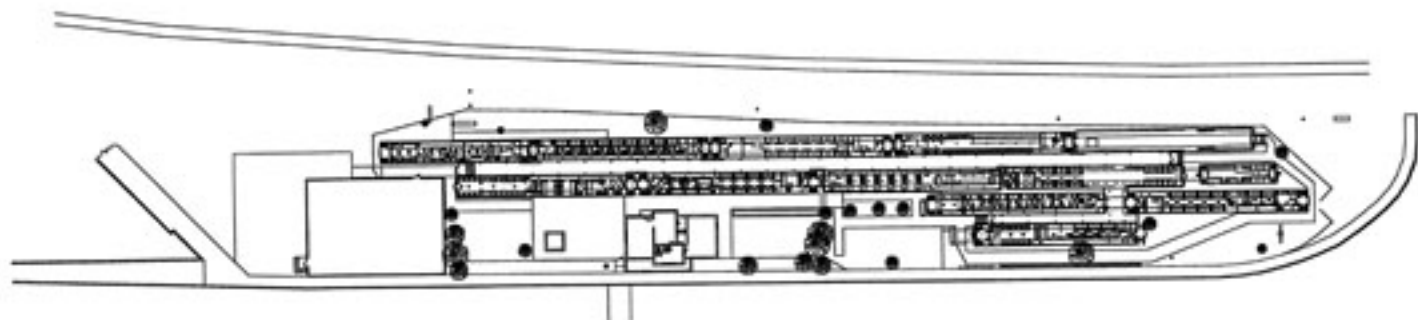


Canadian Museum of Rail Travel - Cranbrook, B.C.

Museum Development Zone Staging Concepts (1993)

Reference J.4.14

Drawn by: Aaron Santucci
Drawn for: Garry Anderson
August, 1997

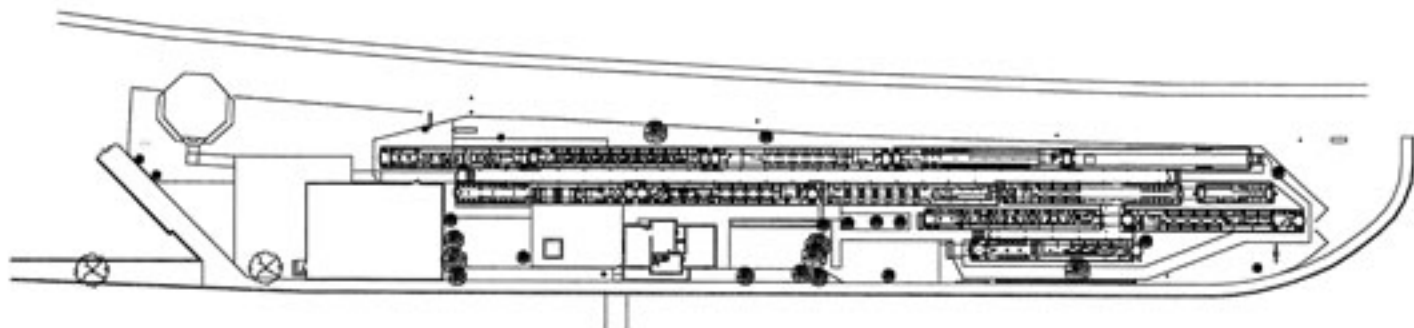


Canadian Museum of Rail Travel - Cranbrook, B.C.

Present Museum Site (1994)

Reference 3.4.13

Drawn by: Aaron Santucci
Drawn for: Gerry Anderson
August, 1997



Condition Museum of Red Town - Ocotlán, S.C.

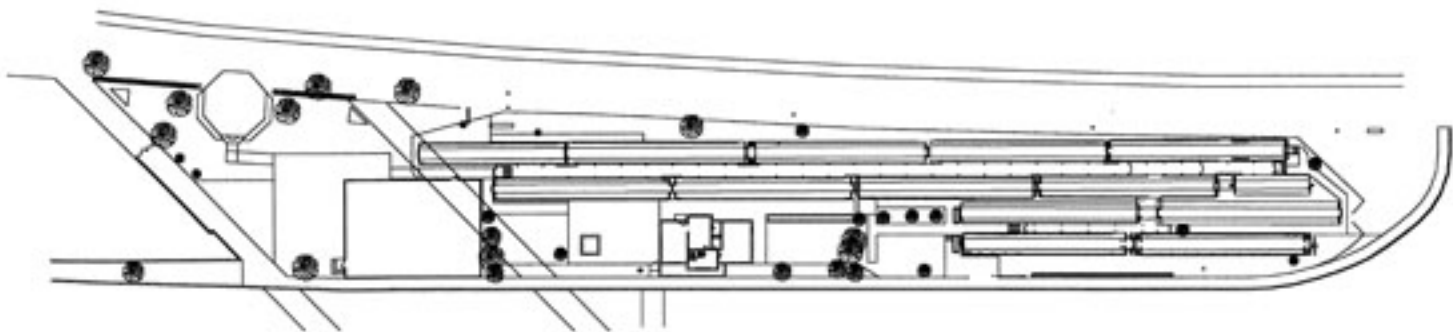
Present (1997) Museum Site - With Cor "Omamee" Placed On Site - (No Interior Cor Details)

Reference 3.1.1.1 (3.1.1.1)

Drawn by Kyle Olson and Chrissy Lennaker (3.1.2)

Drawn for Gary Anderson

May, 1997



(3.1.2)